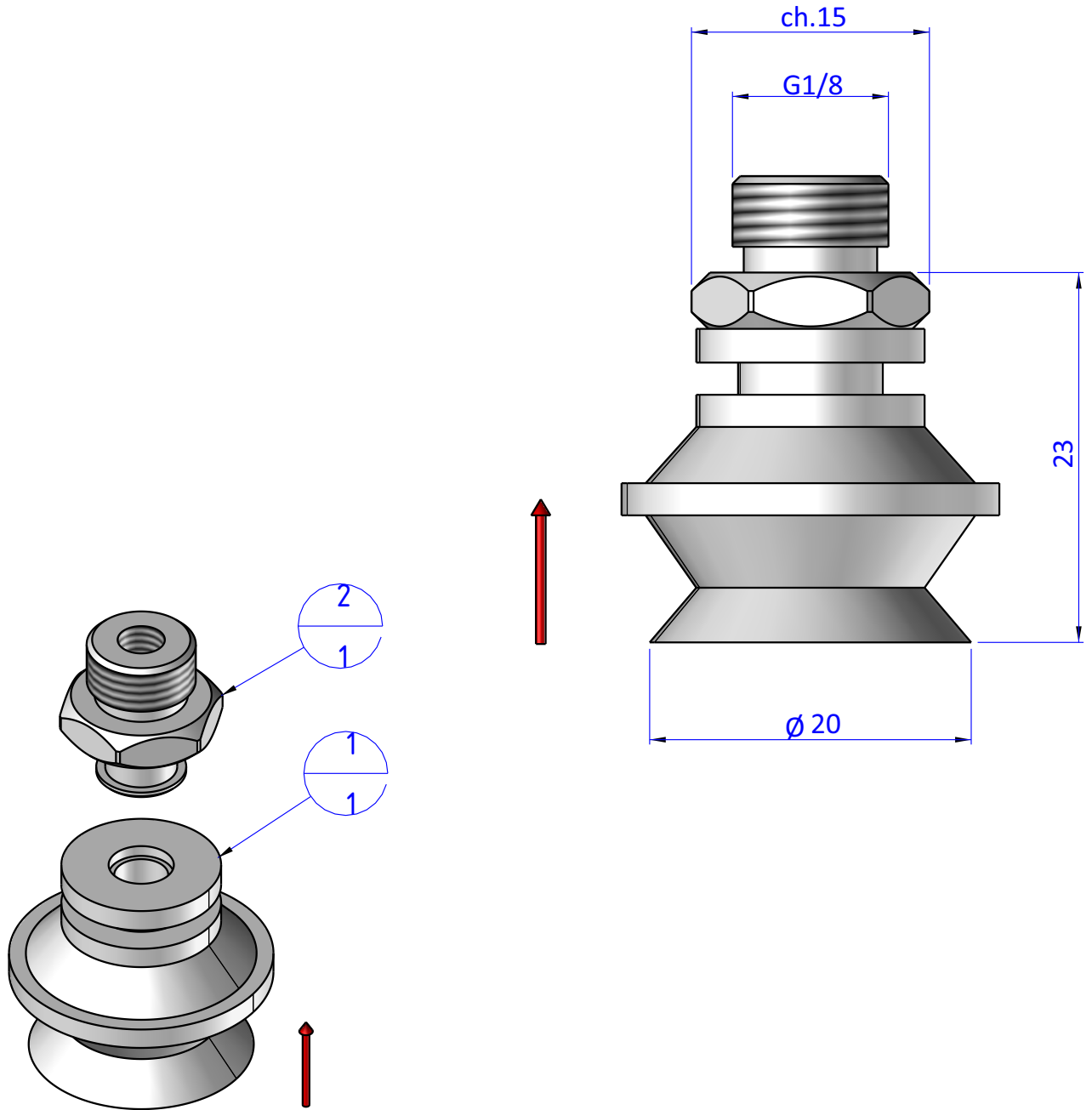


THE PROPERTY OF THE DRAWING IS ESTABLISHED BY LAW. IT IS FORBIDDEN TO PRODUCE OR SHOW IT TO THIRD PART. WITHOUT A WRITTEN AGREEMENT.

Item	Name	Q.ty
1	CA.08.01.003	1
2	CA.08.09.001.AL	1



FPSERVICES AUTOMATION



DESIGNED FROM

FPS Automation

REVIEW

A

DATE

03/11/2020

WEIGHT

0,005kg

CODE

KIT.08.01.D20.1

Format A4

UNI 936-76

GENERAL TOLERANCE

UNI - ISO 2768

CLASSE f

DESCRIPTION

KIT.08.01.D20.1